

PG42

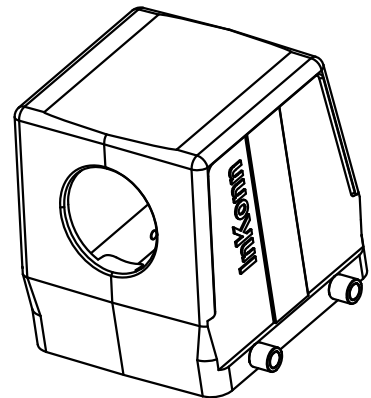
InKonn



94

93.5

82.5

99.1



 InKonn (Suzhou) Electric Technology Co.,Ltd.	 All Dimensions in mm Original Size DIN A4	Date 2020-03-24	Drawing No. TC8503605	Rev. A00	Scale 1:1
	Part No. 10 11 832 1146	Created by Shuxu Huang	Checked by Yiyi Luo	Page 1/1	Type Name HB32-HSE-QR-PG42